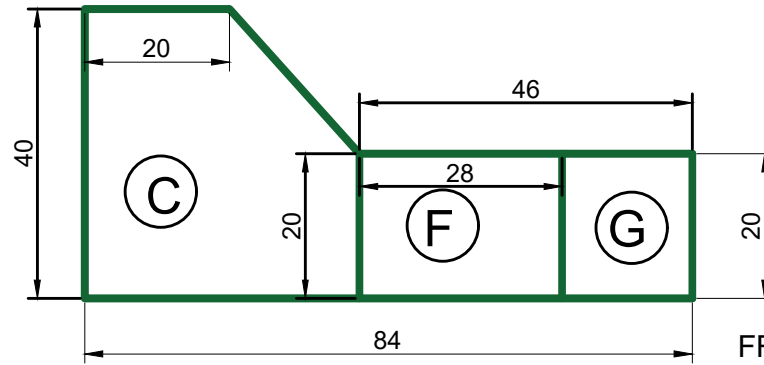
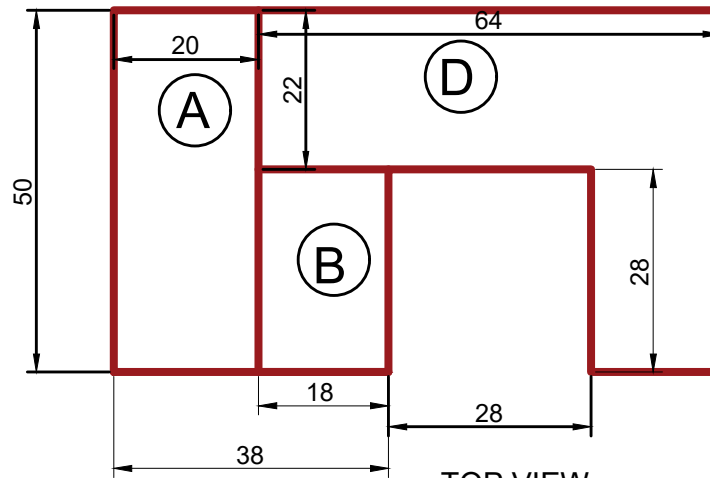


SIDE VIEW



FRONT VIEW



TOP VIEW

ALL DIMENSIONS ARE IN MILLIMETERS UNLESS OTHERWISE SPECIFIED

CHANDIGARH UNIVERSITY

NAME: Aman kumar Jha

PRACTICLE
WORKSHEET NO - 9

ROLL NO.: 20BCS5513

DRAWING SHEET NO.: .1

BRANCH: CSE7 'A'

CHKD BY: